

## HLP2000M Paint Dryer

This **NEW** mobile infrared dryer is specifically designed for use in small areas, for smaller repairs. Extremely mobile, the unit can be positioned accurately into the smallest of spaces. The 2000 model has two 1 KW Glare Control lamps, fitted into individual switchable cassettes and is controlled by an electronic circuit board. Lamps emit short wave infrared heat ideal for optimizing drying of waterborne paints. This flexible system allows each cassette to be adjusted and locked into position around the contours of the vehicle body, ensuring maximum area coverage. The drying cycle has all the features of the larger systems with flash and bake controls both for temperature and time, automatically switching from flash to bake. Typical drying cycle only costs 6 Pence (Based on 1Kw/hour of electricity costing 12 pence)



### Product features include

- 500mm 1Kw High output GC short wave tubes fitted to each cassette.
- Long lamp/emitter life with an average of 6000hours. Typically 4 – 5 years continuous professional use.
- Specially designed electronic power and time control, offering 0 - 100% heat instantly through twin 30 minute timers on both the Flash and Bake settings.
- Robust steel constructed stable frame, fitted with rear wheel locking castors.
- Maintenance free cassettes with no fan or filter changes.
- Individually switched cassettes.
- Horizontal or vertical cassette operation.



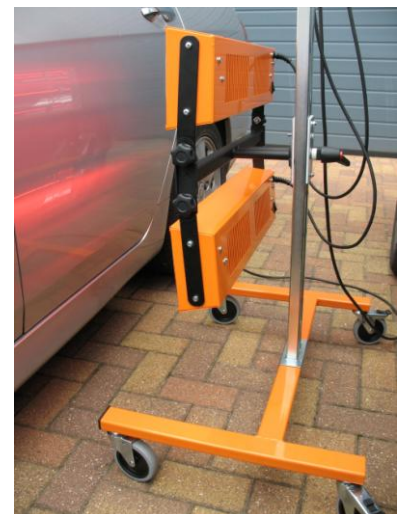
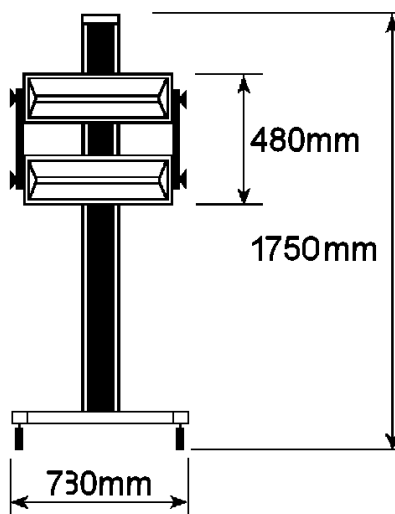
**Area coverage:- 800mm x 650mm**  
Minimum operating distance:- 500mm  
Max vertical curing height:- 2000mm

### Average curing specification

Filler / Stopper:- 4 – 6 minutes  
Primer:- 6 – 8 minutes  
Top coat:- 10 – 12 minutes

### Electrical specification

220-240 Volt 2KW 50Hz 8.50amps



### **HeatLight Technology**

Unit 3, Eastman Way  
Hemel Hempstead HP2 7DU UK  
Tel: +44 (0) 1442 215200  
www.heatlight.com  
Email - sales@heatlight.com



Distributed by